



VETRO ROCKER Instruction Manual

Congratulations!

You are now the owner of a Nurseryworks product...a line of modern baby furniture that redefines the nursery. Nurseryworks' products are designed with both style and functionality in mind, and we hope it becomes a source of pleasure for you and your family. Quality material, workmanship and pride have gone into these products. Proper assembly is important to ensure a safe and comfortable end result for your baby. Please read all instructions before assembly, and keep instructions for future use.

The Product and Manufacturing Process:

Nurseryworks products are made from sustainable woods wherever possible and also from high-quality wood veneers. The primary material used in our products is Paulownia wood which is harvested from plantations and renewed every 10-12 years. Zero-grade MDF, containing well below the regulated limit of formaldehyde, is used sparingly in components of our products to achieve our signature carvings and single board slat cutouts. Our acclaimed lucite furniture collection is made from 100% recyclable acrylic. All paints, finishes and glues are low-VOC. Our products are tested on a frequent basis to ensure that all coatings and finishes comply with U.S. and Canadian metals requirements.

Each Nurseryworks product is a unique piece crafted largely by hand. We use a specialized machinery process to create our hallmark carvings and each piece is constructed and lacquered by hand. Our lacquering process involves over a dozen steps to sand and polish the furniture to achieve our glossy finish. With proper care and assembly, your Nurseryworks products will be a part of your family for years to come. Please note that due to the handcrafted nature of our products and our use of solid woods, each piece is unique and may contain irregular qualities, such as natural markings, miniscule burrs, or slight discolorations. These natural characteristics are inherent in wood, are not considered manufacturing defects and do not merit replacements.

Acrylic

Maintenance and Cleaning:

To preserve the hand crafted quality of Nurseryworks furniture, we recommend using a cotton cloth and a non-toxic cleaner. Because of this the merchandise will be considered normal and of good quality and will not be replaced because of these natural characteristics.

We offer special guidelines for caring and maintaining our lucite furniture collection.

CAUTION: Never use window cleaner, ammonia products, or other chemical sprays on acrylic!

Distinctive acrylic furniture and accessories can last an eternity with minimal care and maintenance. Acrylic care consists of no more than normal wipe-cleaning to keep it looking new – but care should be taken to avoid scratches.

Acrylic is also stable when exposed to sunlight, so it will not turn yellow or crack even when used in normal outdoor environments.

Cleaning Acrylic

Use only a very soft damp cloth when cleaning acrylic surfaces. It is possible to scratch acrylic, so NEVER use any scouring compounds or chemical cleaners such as Windex or other glass cleaners (even if they are environmentally friendly, organic or non-scented). Should anything ever stick to an acrylic surface (such as an adhesive label or gummy substance) do not use any type of solvent.

Never use the same cloth that you clean other household items with – it can retain dirt, grit, and chemical residues that may harm your acrylic items. We recommend using a new or separate cloth for your acrylic care.

However, scratches do happen – but don't worry! Unlike other materials, scratches on acrylic can be easily removed with Novus products. We recommend Novus products for cleaning your lucite furniture. Keep your acrylic surfaces free from dust and dirt, with "**Novus 1**". It's a clear, anti-static formula specially created to remove the negative charge that can attract dust and dirt to the surface of acrylic. It is easy to use: simply wipe on and wipe off! Or use "**Novus 2**" anti-static formula to remove surface scratches while it cleans. "**Novus 3**" is for removal of heavier scratches and requires Novus 2 for final finishing. You can find Novus products at www.plexi-craft.com.

Microsuede

Maintenance and Cleaning:

To preserve the hand-crafted quality of Nurseryworks furniture, we recommend using a cotton cloth and a non-toxic cleaner. For our upholstered products, we recommend using water to clean suede products and light foam cleaner for all other fabrics.

If your child is teething, some furniture's finish may be affected. Be assured that our low-VOC lacquers, finishes and glues comply with applicable regulations and standards. Replacement parts are available for purchase upon request by contacting Nurseryworks at:

323. 728. 8988 or info@nurseryworks.net.

Important Note:

Improper assembly can result in damage to your furniture or cause harm to your child. Proper assembly is critical to ensure a safe and comfortable end result. Please read all instructions before assembly and keep instructions for future use.

Thank you for purchasing Nurseryworks. For any questions or assistance, please contact us at 323. 728. 8988, or via email at info@nurseryworks.net. For additional information on our Purchase Terms and Conditions, please visit www.nurseryworks.net. Your authorized Nurseryworks retailer will also be happy to assist you.



Welcome to Nurseryworks Family Privileges

A sound savings plan that helps you furnish your futures, and your children's rooms, for less.

Here's how Family Privileges works:

When you are making purchases of Nurseryworks furniture for more than one child, take advantage of a fast family privilege.

Take US\$100 off any second crib or changing table when making your Nurseryworks initial purchase.*

And there's more:

When the time comes to purchase from the Nurseryworks kids' furniture collection, simply provide proof of your original Nurseryworks purchase and take US\$100 off your total purchase.**

Nurseryworks stays a part of your family by making sure your style budget doesn't have to expand when your family does.

That's Nurseryworks Family Privileges.

* Products include the Aerial Crib, Loom Crib, Studio Crib, Vetro Crib, Loom Changing Table, Canterbury Changing Table, Two Wide Changing Table and Vetro Changing Table. Discount does not apply to any toddler daybed conversion kits.

** Products include the Duet Bunk Bed and Duet Twin Bed. Nurseryworks reserves the right to change the terms of this offer based on product availability.

WARNING

- Failure to follow these warnings and the assembly instructions could result in serious injury or death.
- Read all instructions before assembling this product.
- Keep instructions for future use.
- FALL HAZARD – To prevent death or serious injury, always keep child within arm's reach.
- Check this product for damaged hardware, loose joints, missing parts or sharp edges before and after assembly and frequently during use. DO NOT use this product if any parts are missing, damaged or broken. Contact Nurseryworks, Inc. for replacement parts and instructional literature if needed. DO NOT substitute parts.
- Assembly tool required: Phillips screwdriver (not included).
- Tighten all screws securely at each step of the instructions. Check frequently to be certain they remain tight and secure.
- This product contains small parts. Keep small parts out of children's reach during assembly.
- Properly discard all packaging materials after assembly is complete.

ONE YEAR LIMITED WARRANTY:

We will replace any missing parts at the time of purchase or any defective item within a one year period from the date of original purchase. Please keep your receipt so that we may process your warranty request. This warranty only covers new units with original packaging and ownership, and is not transferable. It does not cover any used, secondhand or demo models.

This warranty does not cover any damaged or defective parts that result from installation and assembly, normal wear and tear, abuse, negligence, improper use or alteration to the finish, design, and hardware of the rocker. The specific legal rights of this warranty may vary from state to state. Some states do not allow any exclusion or limitation of incidental damages. Some states do not allow limitation on how long an implied warranty lasts.

Registering your product is even easier than before. You can register your product on our website at : www.nurseryworks.net

IF YOU WOULD LIKE TO ORDER REPLACEMENT OR MISSING PARTS. PLEASE VISIT US AT:

WWW.NURSERYWORKS.NET

OR YOU CAN CONTACT US BY MAIL:

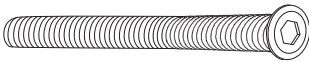
855 Washington Blvd. Montebello, CA 90640

Tel: 323. 728. 8988

Fax: 323. 722. 2805

Vetro Rocker Hardware List

Hardware & Tools	Ref.No	Description
------------------	--------	-------------



Ax6

**Screw
(37.5mm/1.5")**



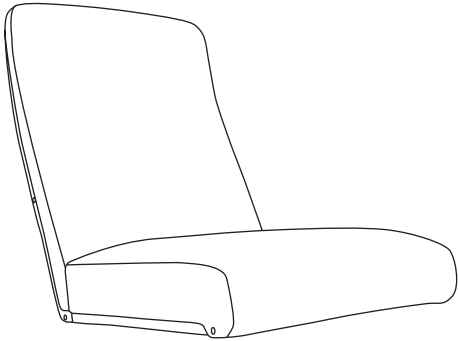
Bx1

Allen Wrench

Vetro Rocker

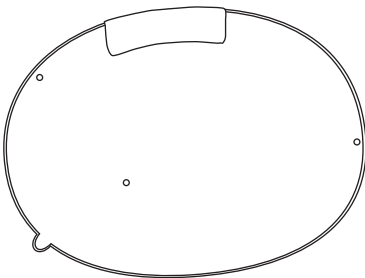
Parts List

Parts	Ref.No	Description
-------	--------	-------------



①x1

Seat



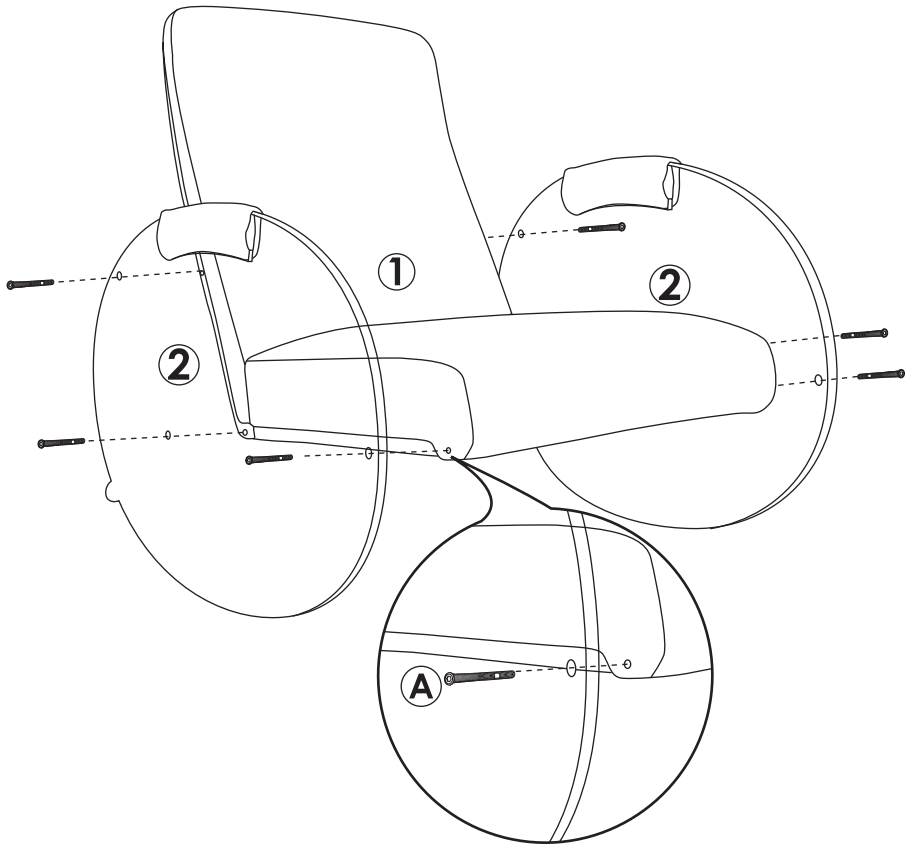
②x2

Side Panel

- ★ Be sure you follow the instructions in the order that they appear.
To avoid possible scratching, assemble furniture on a soft surface.
For instance on a carpet or blanket.
- Be aware that you can use both ends of the Allen wrench.
For instance, use it lengthwise to get into tighter corners.
- Be careful not to over tighten screws.

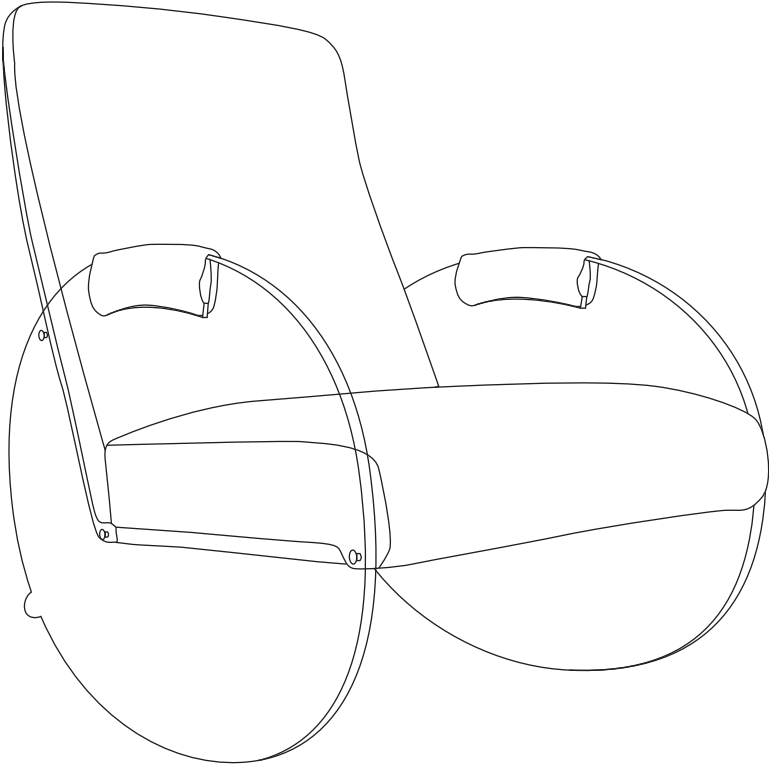
Vetro Rocker Assembly Instructions

Step 1



Attach two Side Panel **2** to Seat **1** by using Screws **A**.
Then tighten with Allen Wrench **B**.

Step 2



Assembly is complete.



www.nurseryworks.net