



TREE BOOKCASE Instruction Manual

Congratulations!

You are now the owner of a Nurseryworks product...a line of modern baby furniture that redefines the nursery. Nurseryworks' products are designed with both style and functionality in mind, and we hope it becomes a source of pleasure for you and your family. Quality material, workmanship and pride have gone into these products. Proper assembly is important to ensure a safe and comfortable end result for your baby. Please read all instructions before assembly, and keep instructions for future use.

The Product and Manufacturing Process:

Nurseryworks products are made from sustainable woods wherever possible and also from high-quality wood veneers. The primary material used in our products is Paulownia wood which is harvested from plantations and renewed every 10-12 years. Zero-grade MDF, containing well below the regulated limit of formaldehyde, is used sparingly in components of our products to achieve our signature carvings and single board slat cutouts. All paints, finishes and glues are low-VOC. Our products are tested on a frequent basis to ensure that all coatings and finishes comply with U.S. and Canadian metals requirements.

Each Nurseryworks product is a unique piece crafted largely by hand. We use a specialized machinery process to create our hallmark carvings and each piece is constructed and lacquered by hand. Our lacquering process involves over a dozen steps to sand and polish the furniture to achieve our glossy finish. With proper care and assembly, your Nurseryworks products will be a part of your family for years to come. Please note that due to the handcrafted nature of our products and our use of solid woods, each piece is unique and may contain irregular qualities, such as natural markings, miniscule burrs, or slight discolorations. These natural characteristics are inherent in wood, are not considered manufacturing defects and do not merit replacements.

Maintenance and Cleaning:

To preserve the hand crafted quality of Nurseryworks furniture, we recommend using a cotton cloth and a non-toxic cleaner. Periodic polishing or oiling on furniture pieces that have a stain finish will help to maintain the rich wood tones. Each Nurseryworks item is a unique piece, made of White Pine, Paulownia Wood and with rich and high quality wood veneers. Because these pieces are made of real wood and real wood veneers, there will occasionally be natural markings, miniscule burrs, or slight discolorations. These natural characteristics are inherent in wood and are not considered defects by Nurseryworks. Because of this the merchandise will be considered normal and of good quality and will not be replaced because of these natural characteristics. Touch up kits are also available upon request by contacting Nurseryworks at: 323. 728. 8988 or info@nurseryworks.net.

Important Note:

Improper assembly can result in damage to your furniture or cause harm to your child. Proper assembly is critical to ensure a safe and comfortable end result. Please read all instructions before assembly and keep instructions for future use.

Thank you for purchasing Nurseryworks. For any questions or assistance, please contact us at 323. 728. 8988, or via email at info@nurseryworks.net. For additional information on our Purchase Terms and Conditions, please visit www.nurseryworks.net. Your authorized Nurseryworks retailer will also be happy to assist you.



Welcome to Nurseryworks Family Privileges

A sound savings plan that helps you furnish your futures, and your children's rooms, for less.

Here's how Family Privileges works:

When you are making purchases of Nurseryworks furniture for more than one child, take advantage of a fast family privilege.

Take US\$100 off any second crib or changing table when making your Nurseryworks initial purchase.*

And there's more:

When the time comes to purchase from the Nurseryworks kids' furniture collection, simply provide proof of your original Nurseryworks purchase and take US\$100 off your total purchase.**

Nurseryworks stays a part of your family by making sure your style budget doesn't have to expand when your family does.

That's Nurseryworks Family Privileges.

* Products include the Aerial Crib, Loom Crib, Studio Crib, Vetro Crib, Loom Changing Table, Canterbury Changing Table, Two Wide Changing Table and Vetro Changing Table. Discount does not apply to any toddler daybed conversion kits.

** Products include the Duet Bunk Bed and Duet Twin Bed. Nurseryworks reserves the right to change the terms of this offer based on product availability.



WARNING

- Failure to follow these warnings and the assembly instructions could result in serious injury or death.
- Read all instructions before use of the bookcase(s).
- Keep instructions for future use.
- Check this product for damaged hardware, loose joints, missing parts or sharp edges before and after assembly and frequently during use. DO NOT assemble or use bookcase(s) if any parts are missing, damaged or broken. Contact Nurseryworks, Inc. for replacement parts and instructional literature if needed. DO NOT substitute parts.
- Tighten all screws securely at each step of the instructions. Check frequently to be certain they remain tight and secure.
- If refinishing, use a non-toxic finish specified for children's products.
- This product contains small parts. Keep small parts out of children's reach during assembly.
- Screws may have sharp edges or sharp points. Keep screws out of the reach of children at all times.
- Properly discard all packaging materials after assembly is complete.

ONE YEAR LIMITED WARRANTY:

We will replace any missing parts at the time of purchase or any defective item within a one year period from the date of original purchase. Please keep your receipt so that we may process your warranty request. This warranty only covers new units with original packaging and ownership, and is not transferable. It does not cover any used, secondhand or demo models.

This warranty does not cover any damaged or defective parts that result from installation and assembly, normal wear and tear, abuse, negligence, improper use or alteration to the finish, design, and hardware of the bookcase. The specific legal rights of this warranty may vary from state to state. Some states do not allow any exclusion or limitation of incidental damages. Some states do not allow limitation on how long an implied warranty lasts.

Registering your product is even easier than before. You can register your product on our website at : www.nurseryworks.net

IF YOU WOULD LIKE TO ORDER REPLACEMENT OR MISSING PARTS. PLEASE VISIT US AT:

WWW.NURSERYWORKS.NET

OR YOU CAN CONTACT US BY MAIL:



855 Washington Blvd. Montebello, CA 90640

Tel: 323. 728. 8988

Fax: 323. 722. 2805

TREE BOOKCASE

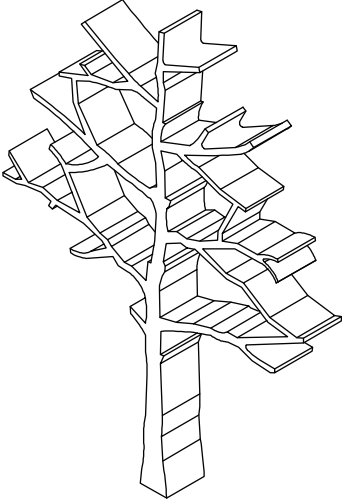
Hardware List

Hardware	Ref.No	Description
	Ax3	Plastic Wedge (35mm/ 1.4")
	Bx3	Screw ChipBoard (40mm/ 1.6")

Please note that screw B requires a Phillips Head Screw driver which is not provided.

TREE BOOKCASE

Parts List

Parts	Ref.No	Description
	①x1	TreeBookcase

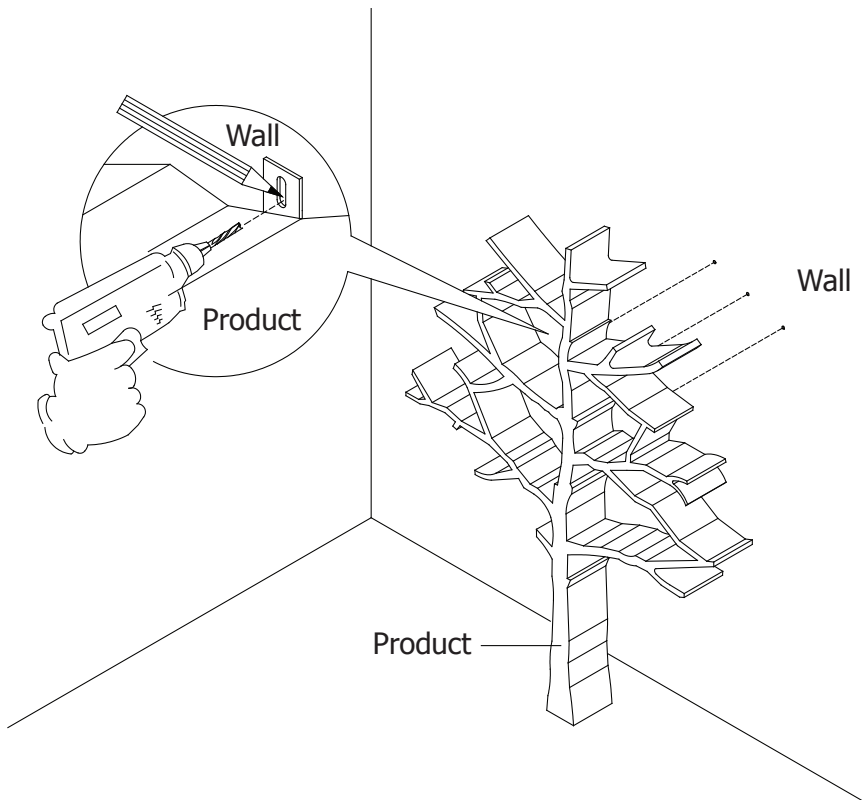
- ★ Be sure you follow the instructions in the order that they appear.
To avoid possible scratching, assemble furniture on a soft surface.
For instance on a carpet or blanket.
Be aware that you can use both ends of the Allen wrench.
For instance, use it lengthwise to get into tighter corners.
Be careful not to over tighten screws.

Tree Bookcase Assembly Instructions

Step 1



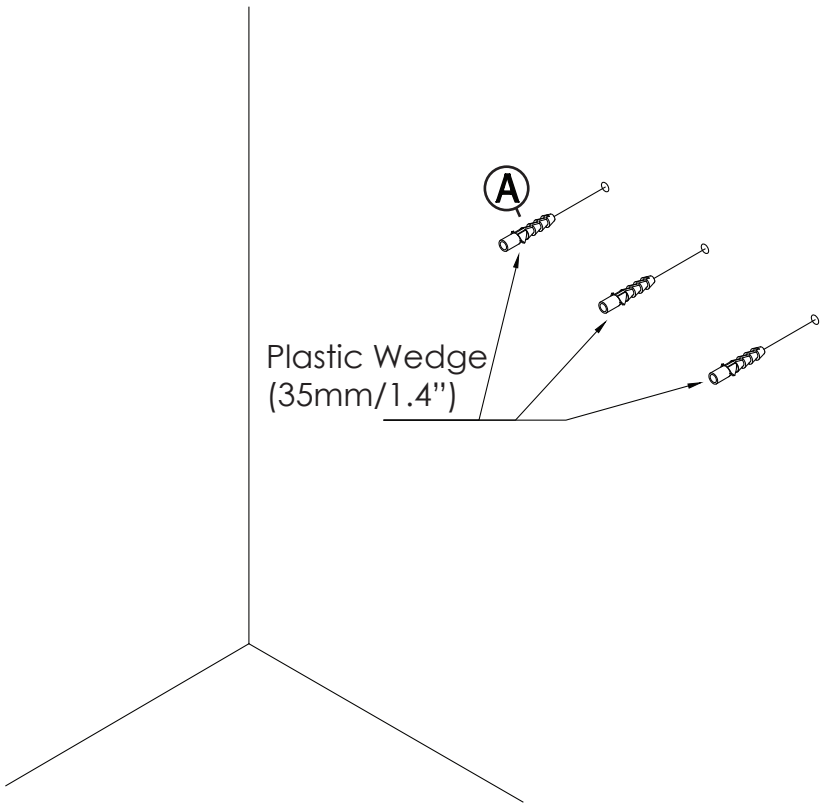
Attach the TreeBookcase ① on the wall for installation. Make sure the installation area is clean. Mark the installation area where the steel plates on the TreeBookcase ① attached.



Step 2



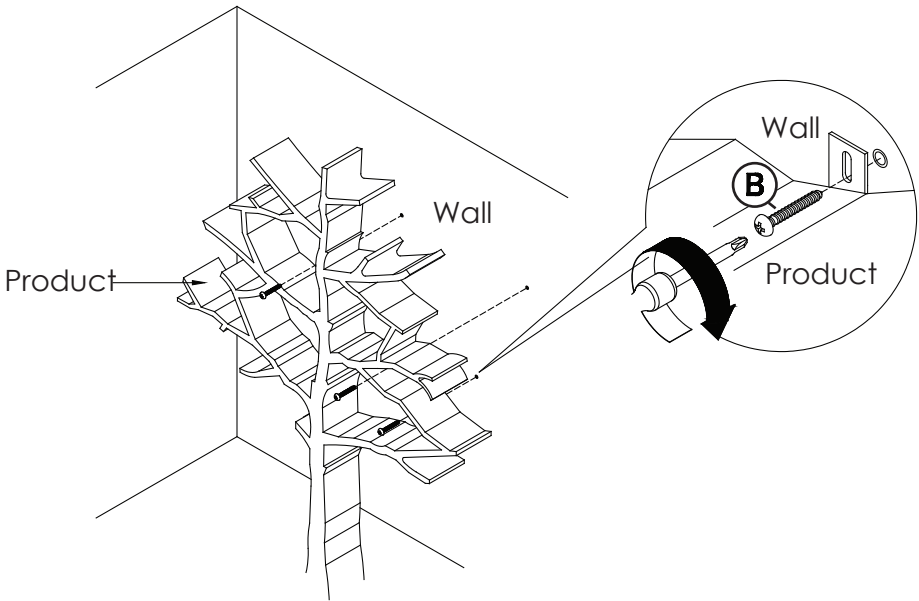
Use electrical drill to pierce the wall at the 3 marking area. Hammer the Plastic Wedge **A** into the marking area.



Step 3



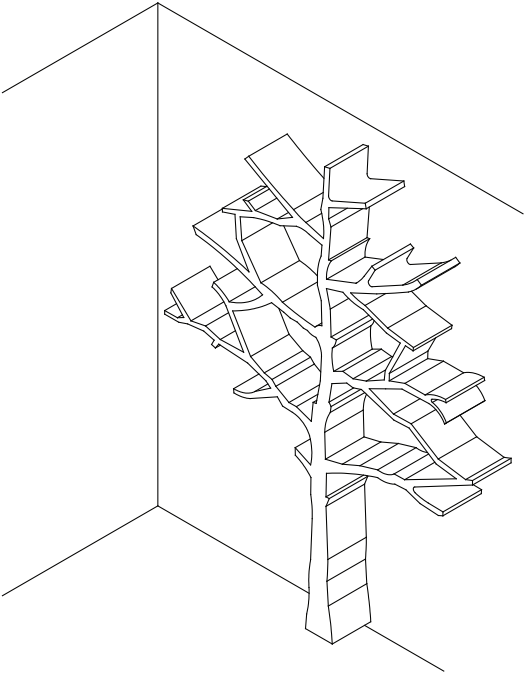
Attach the TreeBookcase ① at the installation area where the Plastic Wedge **A** have been prepared. Pierce the Screw Chipboard **B** by using hammer or power drill through steel plate. The Screw Chipboard **B** should be pierced to the Plastic Wedge **A** on the wall.



Step 4



Assembly is complete.





www.nurseryworks.net