



## **UPTOWN CONVERSION KIT SET** Instruction Manual

### **Congratulations!**

You are now the owner of a Nurseryworks product...a line of modern baby furniture that redefines the nursery. Nurseryworks' products are designed with both style and functionality in mind, and we hope it becomes a source of pleasure for you and your family. Quality material, workmanship and pride have gone into these products. Proper assembly is important to ensure a safe and comfortable end result for your baby. Please read all instructions before assembly, and keep instructions for future use.

## The Product and Manufacturing Process:

Nurseryworks products are made from sustainable woods wherever possible and also from high-quality wood veneers. The primary material used in our products is Paulownia wood which is harvested from plantations and renewed every 10-12 years. Zero-grade MDF, containing well below the regulated limit of formaldehyde, is used sparingly in components of our products to achieve our signature carvings and single board slat cutouts. All paints, finishes and glues are low-VOC. Our products are tested on a frequent basis to ensure that all coatings and finishes comply with U.S. and Canadian metals requirements.

Each Nurseryworks product is a unique piece crafted largely by hand. We use a specialized machinery process to create our hallmark carvings and each piece is constructed and lacquered by hand. Our lacquering process involves over a dozen steps to sand and polish the furniture to achieve our glossy finish. With proper care and assembly, your Nurseryworks products will be a part of your family for years to come. Please note that due to the handcrafted nature of our products and our use of solid woods, each piece is unique and may contain irregular qualities, such as natural markings, miniscule burrs, or slight discolorations. These natural characteristics are inherent in wood, are not considered manufacturing defects and do not merit replacements.

## Maintenance and Cleaning:

To preserve the hand crafted quality of Nurseryworks furniture, we recommend using a cotton cloth and a non-toxic cleaner. Periodic polishing or oiling on furniture pieces that have a stain finish will help to maintain the rich wood tones. Each Nurseryworks item is a unique piece, made of White Pine, Paulownia Wood and with rich and high quality wood veneers. Because these pieces are made of real wood and real wood veneers, there will occasionally be natural markings, miniscule burrs, or slight discolorations. These natural characteristics are inherent in wood and are not considered defects by Nurseryworks. Because of this the merchandise will be considered normal and of good quality and will not be replaced because of these natural characteristics. Touch up kits are also available upon request by contacting Nurseryworks at: 323. 728. 8988 or [info@nurseryworks.net](mailto:info@nurseryworks.net).

## Important Note:

Improper assembly can result in damage to your furniture or cause harm to your child. Proper assembly is critical to ensure a safe and comfortable end result. Please read all instructions before assembly and keep instructions for future use.

Thank you for purchasing Nurseryworks. For any questions or assistance, please contact us at 323. 728. 8988, or via email at [info@nurseryworks.net](mailto:info@nurseryworks.net). For additional information on our Purchase Terms and Conditions, please visit [www.nurseryworks.net](http://www.nurseryworks.net). Your authorized Nurseryworks retailer will also be happy to assist you.



## Welcome to Nurseryworks Family Privileges

A sound savings plan that helps you furnish your futures, and your children's rooms, for less.

Here's how Family Privileges works:

When you are making purchases of Nurseryworks furniture for more than one child, take advantage of a fast family privilege.

Take US\$100 off any second crib or changing table when making your Nurseryworks initial purchase.\*

And there's more:

When the time comes to purchase from the Nurseryworks kids' furniture collection, simply provide proof of your original Nurseryworks purchase and take US\$100 off your total purchase.\*\*

Nurseryworks stays a part of your family by making sure your style budget doesn't have to expand when your family does.

That's Nurseryworks Family Privileges.

\* Products include the Aerial Crib, Loom Crib, Studio Crib, Vetro Crib, Loom Changing Table, Canterbury Changing Table, Two Wide Changing Table and Vetro Changing Table. Discount does not apply to any toddler daybed conversion kits.

\*\* Products include the Duet Bunk Bed and Duet Twin Bed. Nurseryworks reserves the right to change the terms of this offer based on product availability.

# WARNING

- Read each step carefully before starting. It is very important that each step of instruction is performed in the correct order. If these steps are not followed in sequence, assembly difficulties will occur and can result in injury.
- Follow the information on the warnings appearing on the twin bed end structure and on the carton. Do not remove warning label from bed.
- Always use the recommended size mattress or mattress support, or both, to help prevent the likelihood of entrapment or falls.
- Periodically check and ensure all components are in their proper position, free from damage, and that all connectors are tight.
- Do not allow horseplay on the bed and prohibit jumping on the bed.
- Do not use substitute parts. Contact the manufacturer or dealer for replacement parts.
- The use of water or sleep flotation mattresses is prohibited.

- STRANGULATION HAZARD - Never attach or hang items to any part of the twin bed that are not designed for use with the bed; for example, but not limited to, hooks, belts and jump ropes.
- Keep these instructions for future reference.

Use only mattresses which are 74''-75'' long and 37 1/2''- 38 1/2'' wide on twin bed. Ensure thickness of mattress does not exceed 6''.

Replacement parts are available at any Nurseryworks dealers; a list of dealers can be found at [www.nurseryworks.net](http://www.nurseryworks.net).

## ONE YEAR LIMITED WARRANTY:

We will replace any missing parts at the time of purchase or any defective item within a one year period from the date of original purchase. Please keep your receipt so that we may process your warranty request. This warranty only covers new units with original packaging and ownership, and is not transferable. It does not cover any used, secondhand or demo models.

This warranty does not cover any damaged or defective parts that result from installation and assembly, normal wear and tear, abuse, negligence, improper use or alteration to the finish, design, and hardware of the twin bed. The specific legal rights of this warranty may vary from state to state. Some states do not allow any exclusion or limitation of incidental damages. Some states do not allow limitation on how long an implied warranty lasts.

---

Registering your product is even easier than before. You can register your product on our website at : [www.nurseryworks.net](http://www.nurseryworks.net)

IF YOU WOULD LIKE TO ORDER REPLACEMENT OR MISSING PARTS. PLEASE VISIT US AT:

**[WWW.NURSERYWORKS.NET](http://WWW.NURSERYWORKS.NET)**

OR YOU CAN CONTACT US BY MAIL:

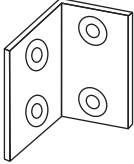

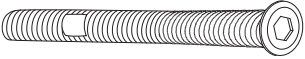

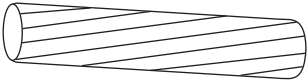
**855 Washington Blvd. Montebello, CA 90640**

**Tel: 323. 728. 8988**

**Fax: 323. 722. 2805**

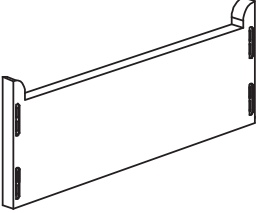
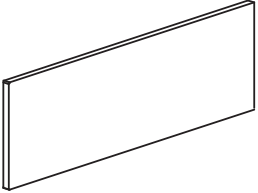
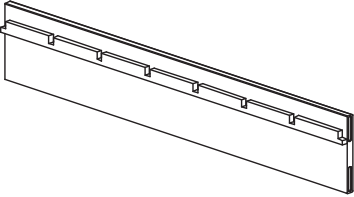
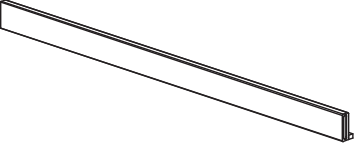
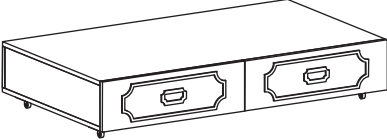
# UPTOWN CONVERSION KIT SET

## Hardware and Tools List

Hardware & Tools	Ref.No	Description
	<b>A x 4</b>	<b>L Shape Bracket</b>
	<b>B x 16</b>	<b>Screw (12mm/0.5")</b>
	<b>C x 8</b>	<b>Screw (37mm/1.5")</b>
	<b>D x 1</b>	<b>Wrench</b>
	<b>E x 4</b>	<b>Dowel</b>

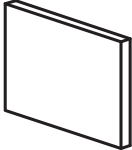
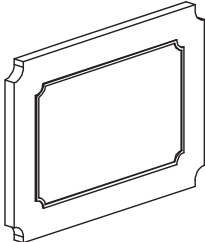

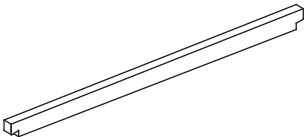
# UPTOWN CONVERSION KIT SET

## Parts List

Parts	Ref.No	Description
	①x1	Headboard Base
	②x1	Footboard
	③x1	Back Rail
	④x1	Front Rail
	⑤x1	Underdrawer (conversion from crib)

# UPTOWN CONVERSION KIT SET

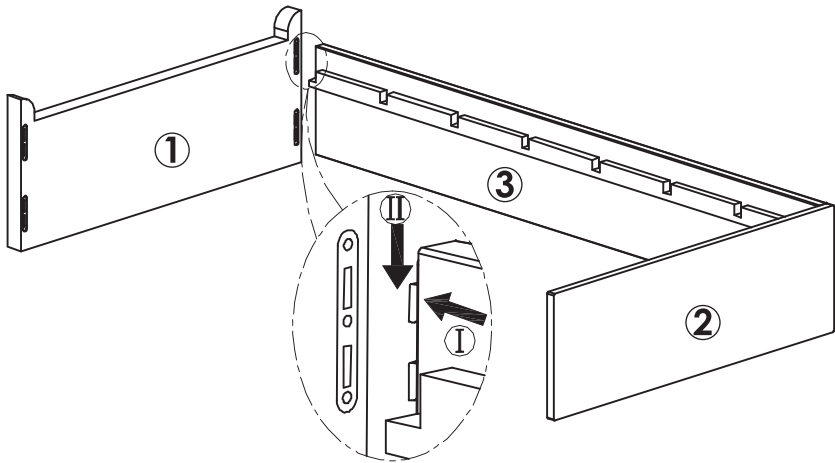
## Parts List

Parts	Ref.No	Description
	<b>6x2</b>	<b>Front Panel</b>
	<b>7x1</b>	<b>Headboard</b> (conversion from crib)
	<b>8x1</b>	<b>Support Panel</b>
	<b>9x8</b>	<b>Mattress Support Slat</b>

- ★ Be sure you follow the instructions in the order that they appear.  
To avoid possible scratching, assemble furniture on a soft surface.  
For instance on a carpet or blanket.
- Be aware that you can use both ends of the Allen wrench.  
For instance, use it lengthwise to get into tighter corners.
- Be careful not to over tighten screws.

# Uptown Conversion Kit Set Assembly Instructions

## Step 1

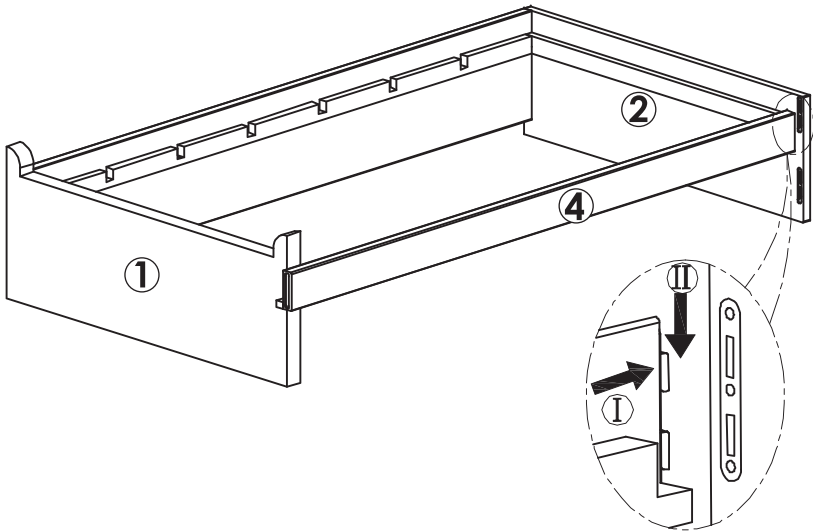


Attach the Back Rail ③ by matching the Headboard Base ① and Footboard ② with the hardware on it that has holes which correspond with the pre-installed nuts on the Back Rail ③. Insert the nuts into the holes and lock both Headboard Base ① and Footboard ② into place.

---

Tighten all screws securely before proceeding to the next step.

## Step 2

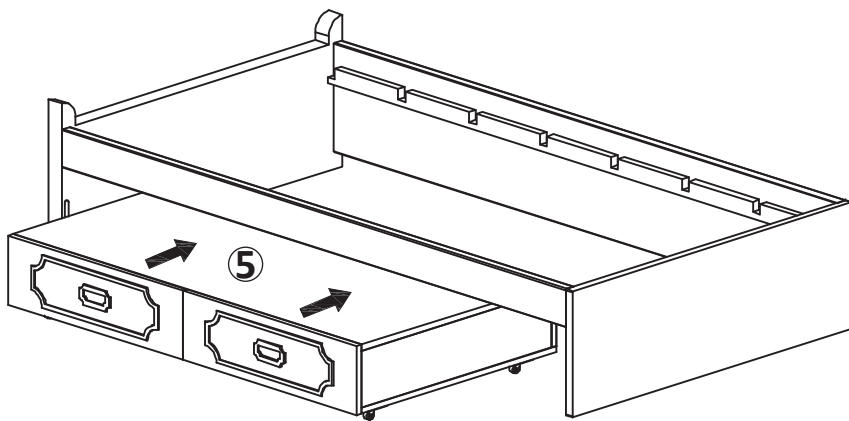


Attach the Front Rail ④ by matching the Headboard Base ① and Footboard ② with the hardware on it that has holes which correspond with the pre-installed nuts on the Front Rail ④. Insert the nuts into the holes and lock both Headboard Base ① and Footboard ② into place.

---

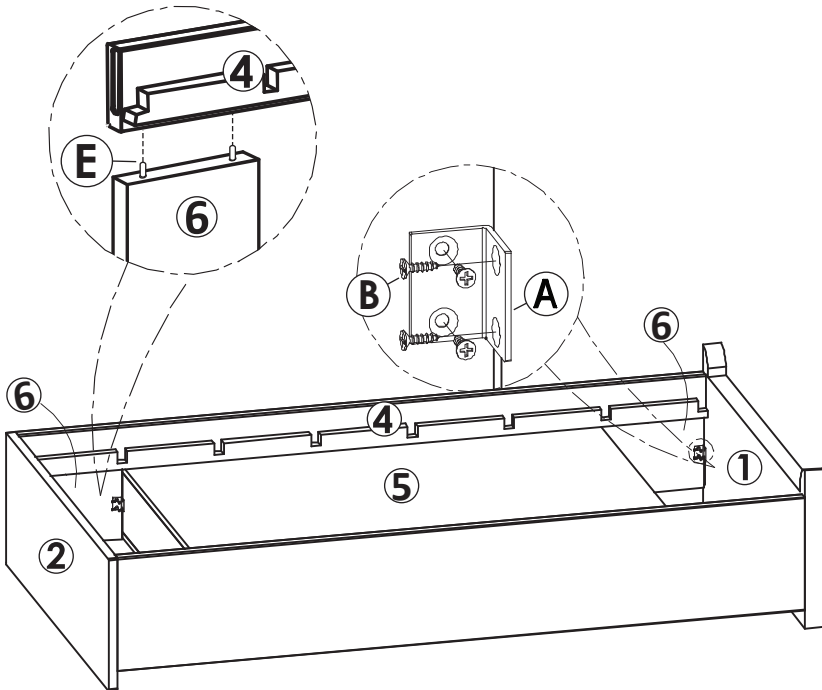
Tighten all screws securely before proceeding to the next step.

### Step 3



Push the Underdrawer ⑤ under the bed.

## Step 4



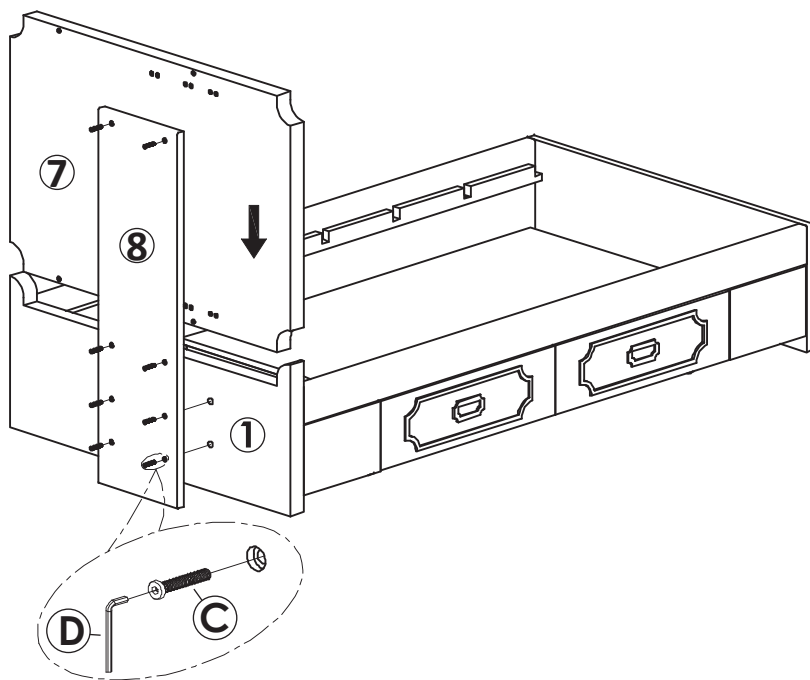
Insert two Dowels **E** into the holes on the top of each Front Panel **6**.

Put the Front Panels **6** under the Front Rail **4** by aligning the dowels with the holes in the bottom of Front Rail and connect the Front Panels **6** with corresponding holes of Headboard Base **1**, Footboard **2** and Under-drawer **5** by screwing four L Shape Bracket **A** with four Screws **B** per Bracket.

---

Tighten all screws securely before proceeding to the next step.

## Step 5

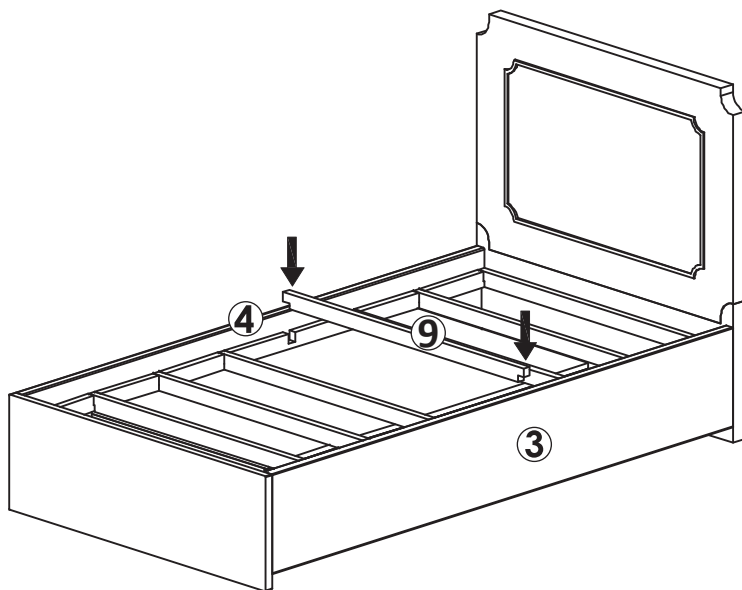


Insert Headboard **7** onto Headboard Base **1**. Connect the Support Panel **8** to the Headboard Base **1** and Headboard **7** by inserting Screws **C** into holes.

---

Tighten all screws securely before proceeding to the next step.

## Step 6

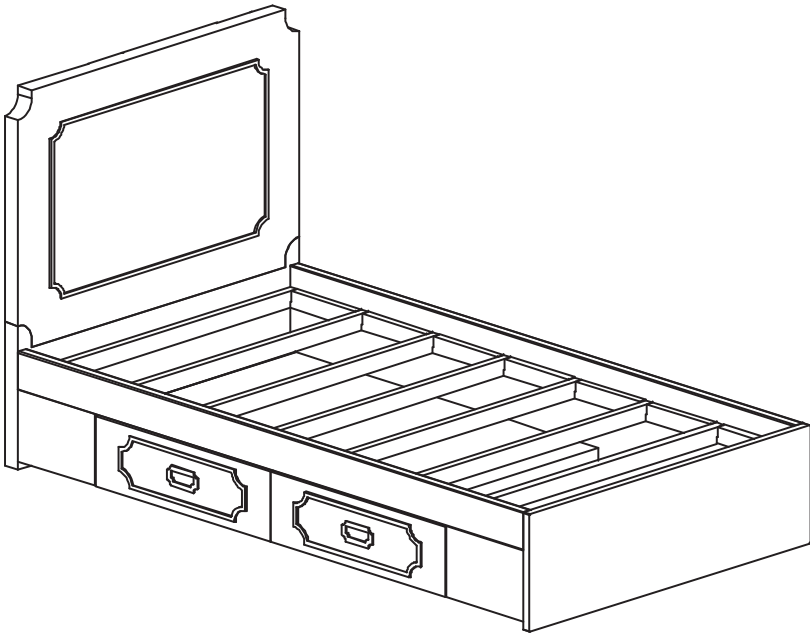


Set eight Mattress Support Slats ⑨ into the grooves in the Front Rail ④ and the Back Rail ③.

---

Tighten all screws securely before proceeding to the next step.

## Step 7



Assembly is complete.







[www.nurseryworks.net](http://www.nurseryworks.net)