



STUDIO CRIB TODDLER BED CONVERSION KIT

Instruction Manual

Congratulations!

You are now the owner of a Nurseryworks product...a line of modern baby furniture that redefines the nursery. Nurseryworks' products are designed with both style and functionality in mind, and we hope it becomes a source of pleasure for you and your family. Quality material, workmanship and pride have gone into these products. Proper assembly is important to ensure a safe and comfortable end result for your baby. Please read all instructions before assembly, and keep instructions for future use.




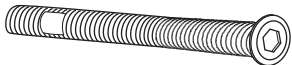



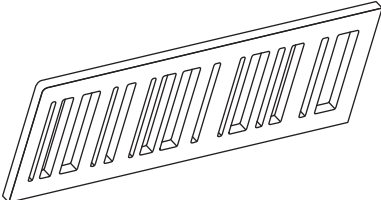
WARNING

ENTRAPMENT/ STRANGULATION HAZARD

- Infants have died in toddler beds from entrapment and strangulation.
- NEVER use bed with children under 15 months.
- Guardrails must be used to avoid the formation of a gap between the mattress and the bed that could cause an entrapment.
- Do not suspend strings over a toddler bed for any reason.
- For toddler bed: The minimum age shall not be less than 15 months and the maximum weight shall not be greater than 50lb (22.7 kg).

Studio Crib Toddler Bed Conversion Kit

Hardware and Parts List

| Hardware & Parts | Ref.No | Description |
|---|------------|-------------------------------|
|  | Ex1 | Allen Wrench |
|  | Fx4 | Screw (35mm/1.4") |
|  | Gx4 | Washer |
|  | Hx2 | Metal Plate |
|  | Ix4 | Screw (12mm/0.47") |
|  | 7x1 | Toddler Bed Rail |

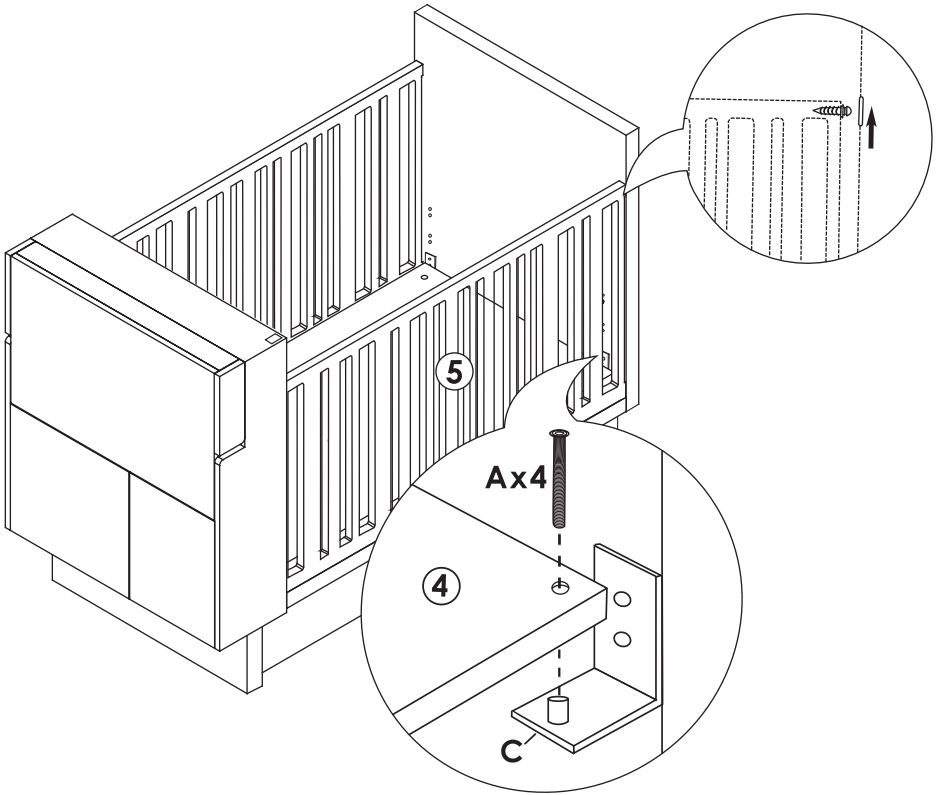
Please note that screw I requires a Phillips Head Screw driver which is not provided.

- ★ Be sure you follow the instructions in the order that they appear.
To avoid possible scratching, assemble furniture on a soft surface.
For instance on a carpet or blanket.

Be aware that you can use both ends of the Allen wrench.
For instance, use it lengthwise to get into tighter corners.

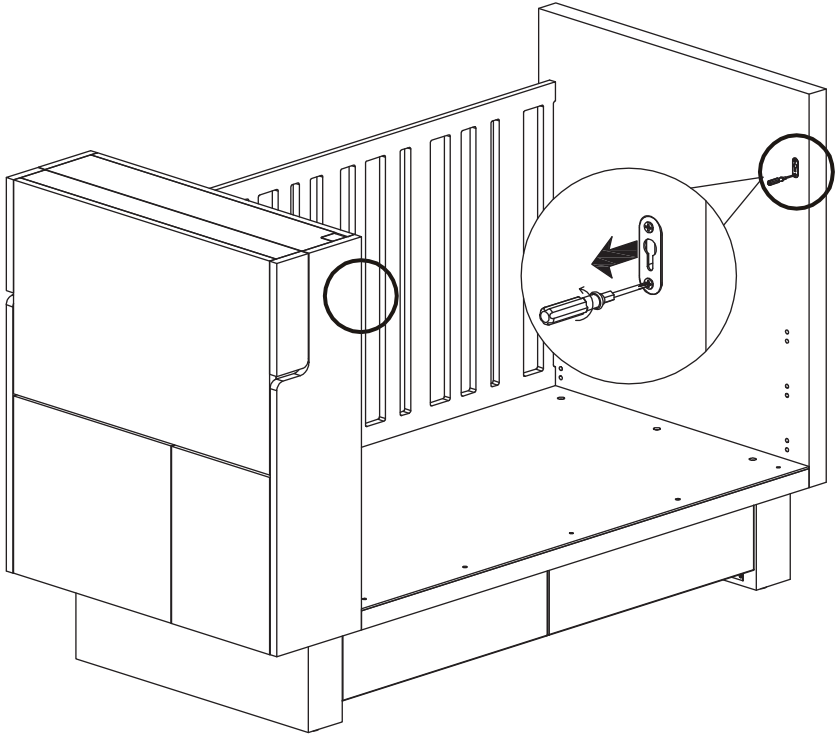
Be careful not to over tighten screws.

Installation of Toddler Bed Conversion Kit



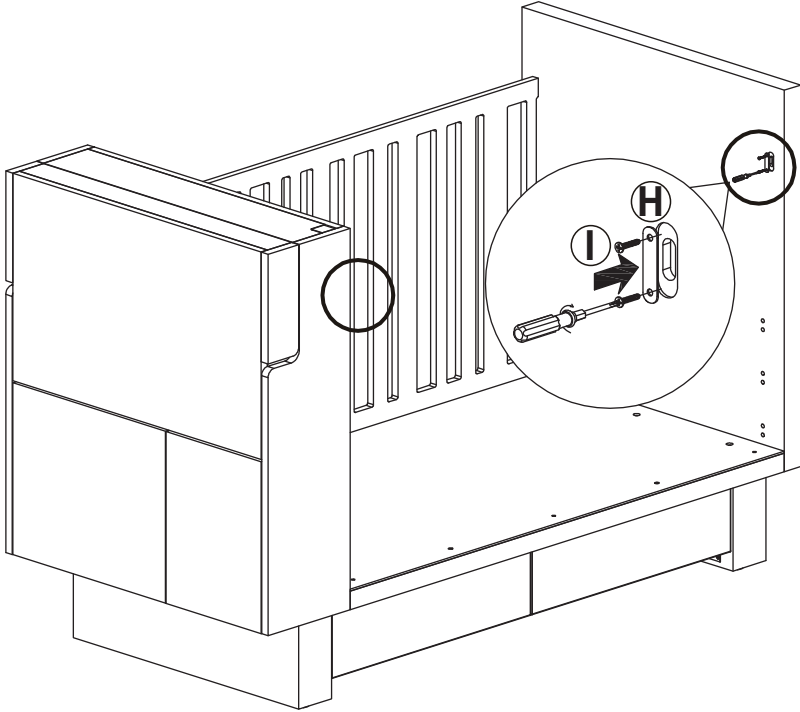
Unscrew Screw A with Allen wrench **E** and take out the mattress board (4) and one of crib slat panel (5).

Installation of Toddler Bed Conversion Kit



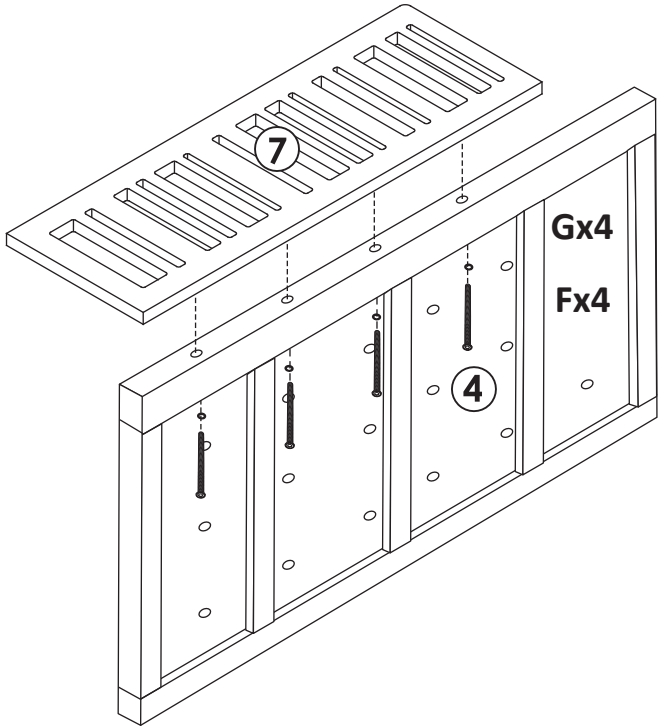
Identify the correct metal plates which are on the Crib ends ① by standing in front of the Crib. Then unscrew two original metal plates.

Installation of Toddler Bed Conversion Kit



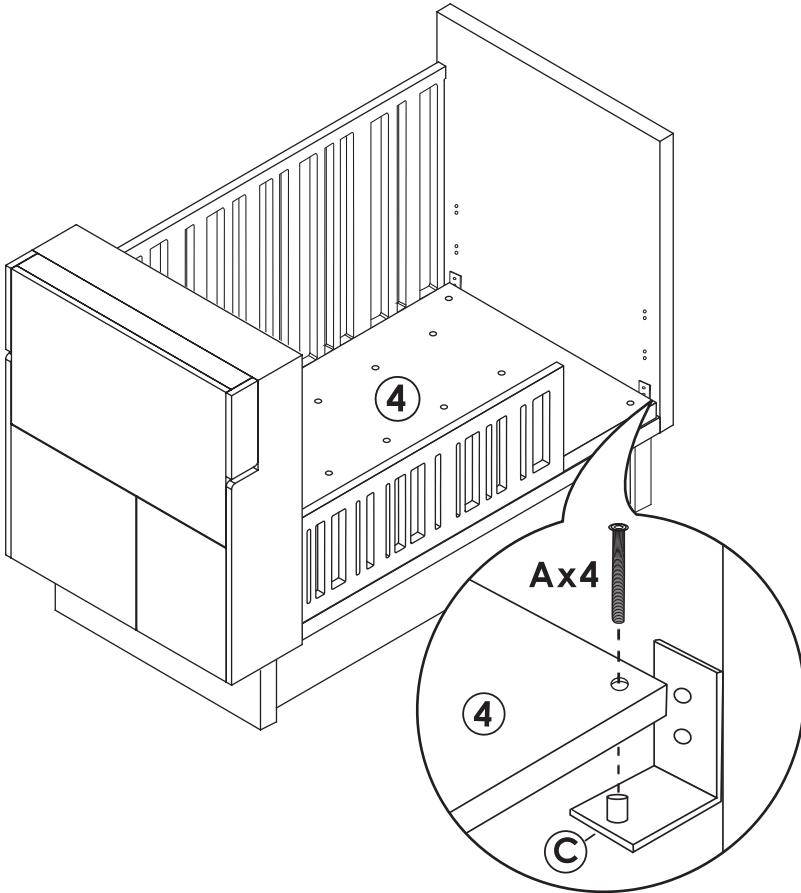
Identify the two Metal plates **H**.
Insert two of Screw **I** into Metal plate **H**, through the corresponding holes as drawing illustrates.

Installation of Toddler Bed Conversion Kit



Remove one Side Rail (5) . Insert four Screws **F** and Washers **G** from the inside of the stabilizer bar of the Mattress Board (4) to connect the Toddler Bed Rail (7) .

Installation of Toddler Bed Conversion Kit



Install the Mattress Board **4** by matching up the four corner holes in the board with the four Brackets **C**. Insert the Screws **A** (existing screw on the mattress support board) at each of the four corner holes and tighten with Wrench **E**.

Please ensure to put the mattress board at the lowest position and DO NOT put the mattress board at the middle/ highest position when converting from Crib to Toddler Bed.



www.nurseryworks.net