



## **LOOM CRIB CONVERSION KIT** Instruction Manual

### **Congratulations!**

You are now the owner of a Nurseryworks product...a line of modern baby furniture that redefines the nursery. Nurseryworks' products are designed with both style and functionality in mind, and we hope it becomes a source of pleasure for you and your family. Quality material, workmanship and pride have gone into these products. Proper assembly is important to ensure a safe and comfortable end result for your baby. Please read all instructions before assembly, and keep instructions for future use.




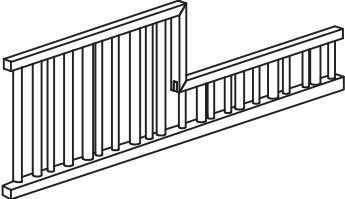
# WARNING

---

## **ENTRAPMENT/ STRANGULATION HAZARD**

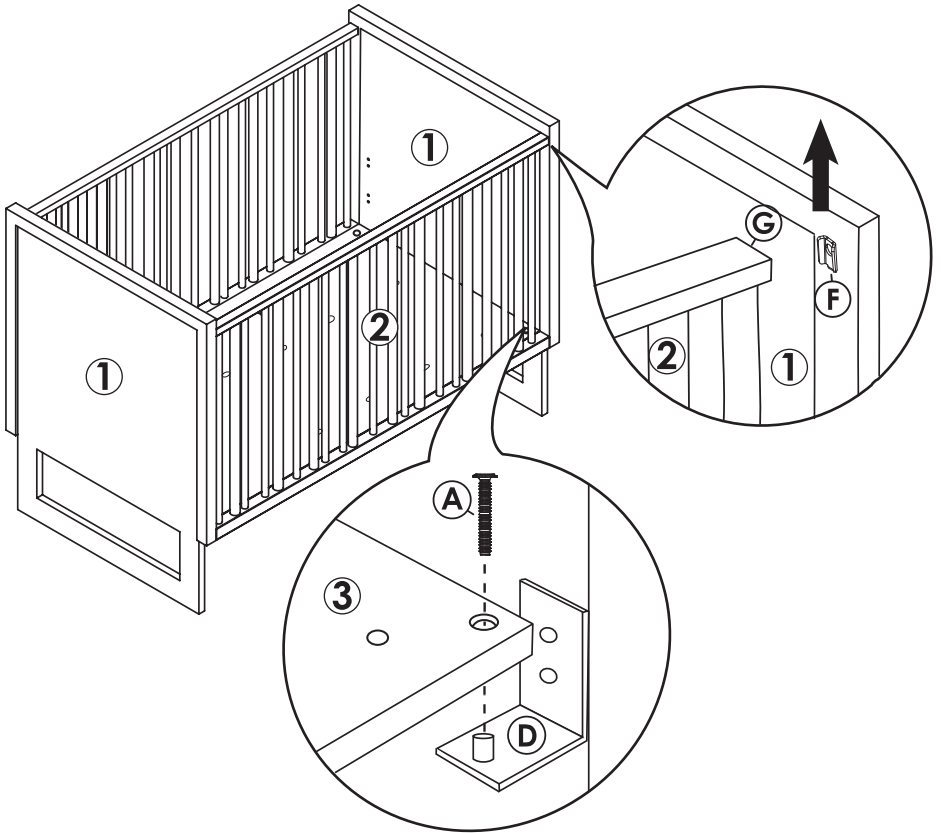
- Infants have died in toddler beds from entrapment and strangulation.
- NEVER use bed with children under 15 months.
- Guardrails must be used to avoid the formation of a gap between the mattress and the bed that could cause an entrapment.
- Do not suspend strings over a toddler bed for any reason.
- For toddler bed: The minimum age shall not be less than 15 months and the maximum weight shall not be greater than 50lb (22.7 kg).

# Loom Crib Conversion Kit Tools and Parts List

Tools & Parts	Ref.No	Description
	<b>Hx1</b>	<b>Allen Wrench</b>
	<b>④x1</b>	<b>Conversion Kit</b>

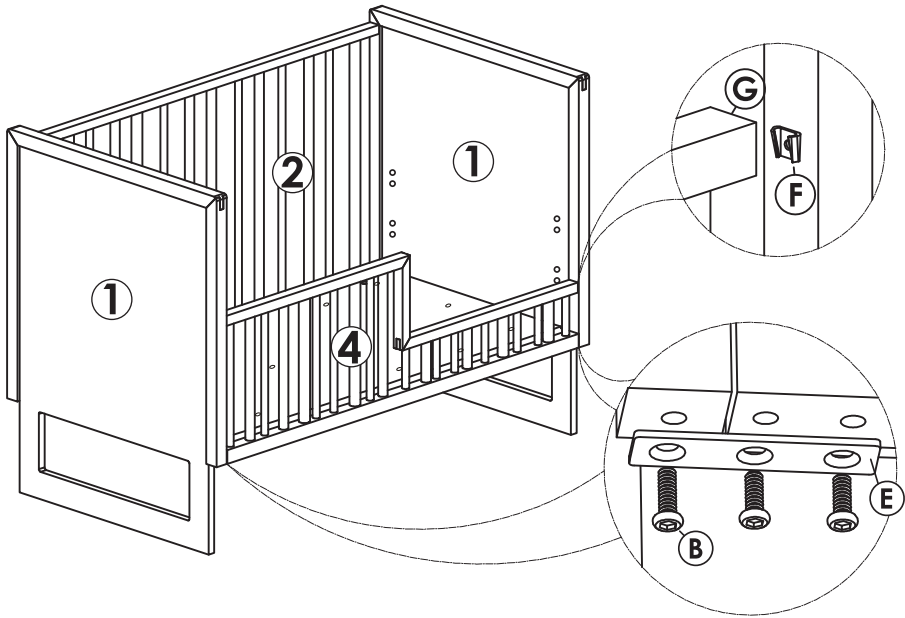
- ★ Be sure you follow the instructions in the order that they appear.  
To avoid possible scratching, assemble furniture on a soft surface.  
For instance on a carpet or blanket.
- Be aware that you can use both ends of the Allen wrench.  
For instance, use it lengthwise to get into tighter corners.
- Be careful not to over tighten screws.

# Installation of Conversion Kit



Unscrew Screw A with Wrench **H** and take out the mattress board (3) and one of Crib Slate Panel (2).

## Installation of Conversion Kit



Attach Conversion Kit **4** to one End Panel **1** by aligning the Female Rail Clip **G** (pre-installed in the top rail of Slat Panel **2**) above the Male Rail Clip **F**. Push down firmly to set in place.

Then screw one Plate **E** into the holes along the bottom of Slat Panel **2** with three Screw **B** (existing screw on the mattress support board) and tighten with Allen Wrench **H**.







[www.nurseryworks.net](http://www.nurseryworks.net)