



## **AERIAL CRIB CONVERSION KIT** Instruction Manual

### **Congratulations!**

You are now the owner of a Nurseryworks product...a line of modern baby furniture that redefines the nursery. Nurseryworks' products are designed with both style and functionality in mind, and we hope it becomes a source of pleasure for you and your family. Quality material, workmanship and pride have gone into these products. Proper assembly is important to ensure a safe and comfortable end result for your baby. Please read all instructions before assembly, and keep instructions for future use.









# WARNING

---

## **ENTRAPMENT/ STRANGULATION HAZARD**

- Infants have died in toddler beds from entrapment and strangulation.
- NEVER use bed with children under 15 months.
- Guardrails must be used to avoid the formation of a gap between the mattress and the bed that could cause an entrapment.
- Do not suspend strings over a toddler bed for any reason.
- For toddler bed: The minimum age shall not be less than 15 months and the maximum weight shall not be greater than 50lb (22.7 kg).

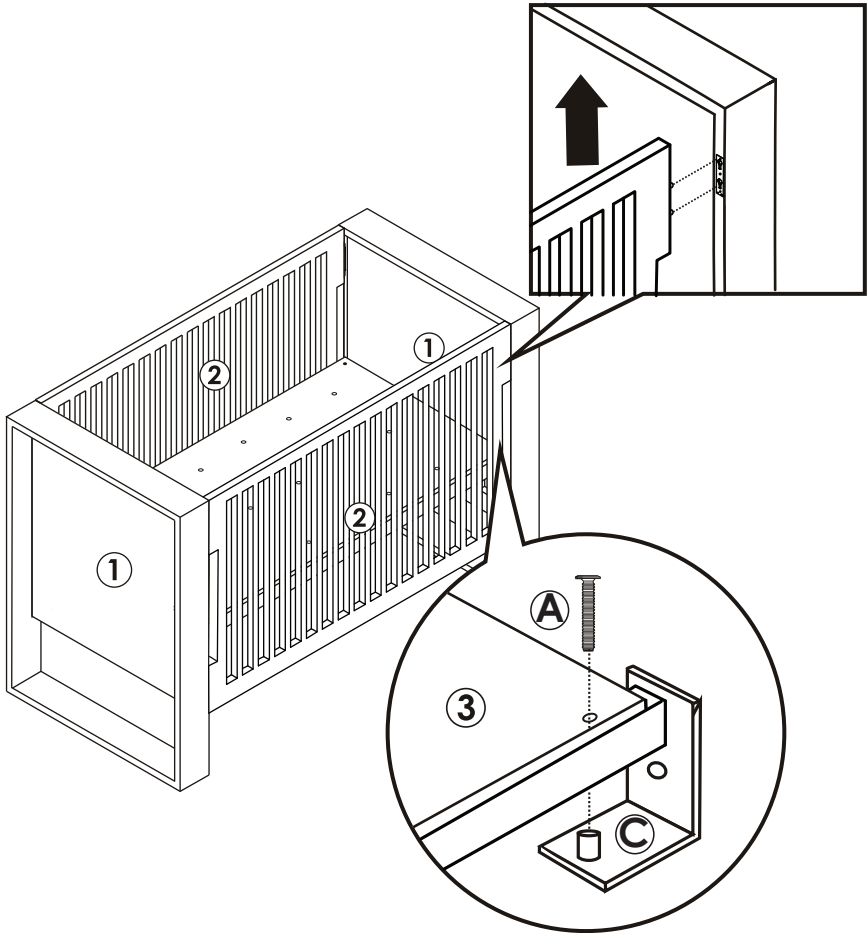
# Aerial Crib Conversion Kit Hardware and Parts List

Hardware & Parts	Ref.No	Description
	<b>D x 1</b>	<b>Wrench</b>
	<b>E x 5</b>	<b>Screw (35mm/1.4")</b>
	<b>F x 8</b>	<b>Screw (25mm/1")</b>
	<b>G x 4</b>	<b>Metal Plate</b>
	<b>H x 5</b>	<b>Washer</b>
	<b>④x1</b>	<b>Conversion Kit</b>

Please note that screw F requires a Phillips Head Screw driver which is not provided.

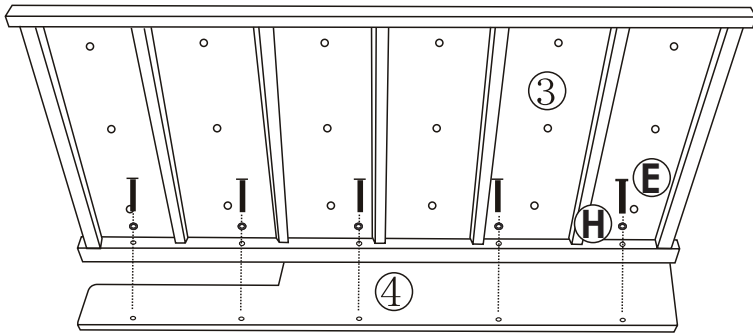
- ★ Be sure you follow the instructions in the order that they appear.  
To avoid possible scratching, assemble furniture on a soft surface.  
For instance on a carpet or blanket.
- Be aware that you can use both ends of the Allen wrench.  
For instance, use it lengthwise to get into tighter corners.
- Be careful not to over tighten screws.

# Installation of Conversion Kit



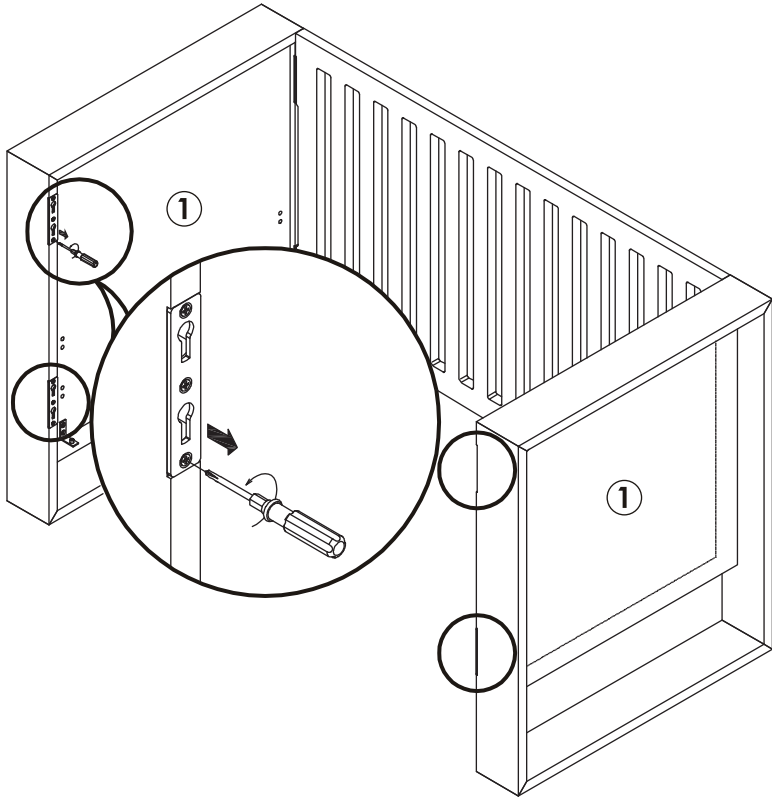
Unscrew screw **A** with wrench **D** and take out the mattress board **3** and one of crib slat panel **2**.

# Installation of Conversion Kit



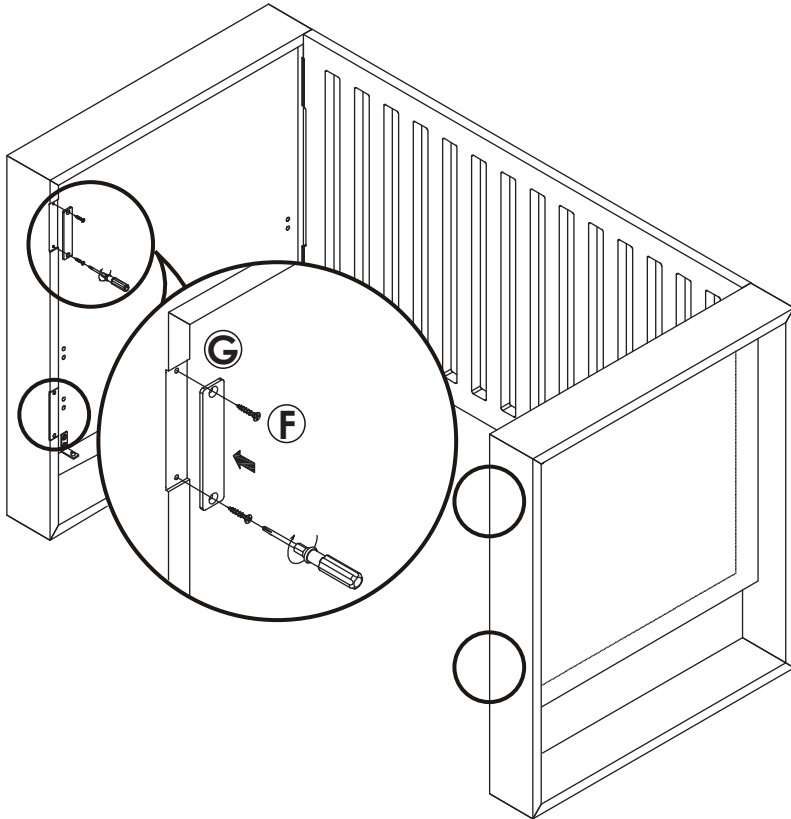
Insert screw **E** and washer **H** from the inside of the mattress board **③** to connect the conversion kit **④**.

# Installation of Conversion Kit



Identify the correct metal plates which are on the crib ends ① by standing in front of the Crib. Then unscrew four original metal plates.

## Installation of Conversion Kit

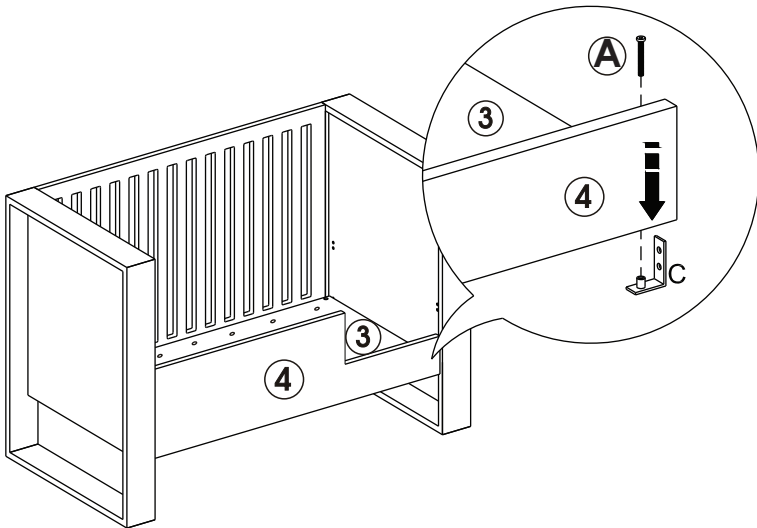


Identify the four metal plates **G**.  
Insert two of screw **F** into metal plate **G**, through the corresponding holes as drawing illustrates.

## Installation of Conversion Kit



Then place the mattress board (3) with the conversion kit (4) on top of bracket C, matching up the pre-drilled screw holes. Insert screw A (existing screw on the mattress support board) into the hole, connecting the bracket C and tighten screws A with wrench D, this should be done on all four brackets.











[www.nurseryworks.net](http://www.nurseryworks.net)