



2 WIDE CHANGER

Instruction Manual

Congratulations!

You are now the owner of a Nurseryworks product...a line of modern baby furniture that redefines the nursery. Nurseryworks' products are designed with both style and functionality in mind, and we hope it becomes a source of pleasure for you and your family. Quality material, workmanship and pride have gone into these products. Proper assembly is important to ensure a safe and comfortable end result for your baby. Please read all instructions before assembly, and keep instructions for future use.

The Product and Manufacturing Process:

Nurseryworks products are made from sustainable woods wherever possible and also from high-quality wood veneers. The primary material used in our products is Paulownia wood which is harvested from plantations and renewed every 10-12 years. Zero-grade MDF, containing well below the regulated limit of formaldehyde, is used sparingly in components of our products to achieve our signature carvings and single board slat cutouts. All paints, finishes and glues are low-VOC. Our products are tested on a frequent basis to ensure that all coatings and finishes comply with U.S. and Canadian metals requirements.

Each Nurseryworks product is a unique piece crafted largely by hand. We use a specialized machinery process to create our hallmark carvings and each piece is constructed and lacquered by hand. Our lacquering process involves over a dozen steps to sand and polish the furniture to achieve our glossy finish. With proper care and assembly, your Nurseryworks products will be a part of your family for years to come. Please note that due to the handcrafted nature of our products and our use of solid woods, each piece is unique and may contain irregular qualities, such as natural markings, miniscule burrs, or slight discolorations. These natural characteristics are inherent in wood, are not considered manufacturing defects and do not merit replacements.

Maintenance and Cleaning:

To preserve the hand crafted quality of Nurseryworks furniture, we recommend using a cotton cloth and a non-toxic cleaner. Periodic polishing or oiling on furniture pieces that have a stain finish will help to maintain the rich wood tones. Each Nurseryworks item is a unique piece, made of White Pine, Paulownia Wood and with rich and high quality wood veneers. Because these pieces are made of real wood and real wood veneers, there will occasionally be natural markings, miniscule burrs, or slight discolorations. These natural characteristics are inherent in wood and are not considered defects by Nurseryworks. Because of this the merchandise will be considered normal and of good quality and will not be replaced because of these natural characteristics. Touch up kits are also available upon request by contacting Nurseryworks at: 323. 728. 8988 or info@nurseryworks.net.

Important Note:

Improper assembly can result in damage to your furniture or cause harm to your child. Proper assembly is critical to ensure a safe and comfortable end result. Please read all instructions before assembly and keep instructions for future use.

Thank you for purchasing Nurseryworks. For any questions or assistance, please contact us at 323. 728. 8988, or via email at info@nurseryworks.net. For additional information on our Purchase Terms and Conditions, please visit www.nurseryworks.net. Your authorized Nurseryworks retailer will also be happy to assist you.



Welcome to Nurseryworks Family Privileges

A sound savings plan that helps you furnish your futures, and your children's rooms, for less.

Here's how Family Privileges works:

When you are making purchases of Nurseryworks furniture for more than one child, take advantage of a fast family privilege.

Take US\$100 off any second crib or changing table when making your Nurseryworks initial purchase.*

And there's more:

When the time comes to purchase from the Nurseryworks kids' furniture collection, simply provide proof of your original Nurseryworks purchase and take US\$100 off your total purchase.**

Nurseryworks stays a part of your family by making sure your style budget doesn't have to expand when your family does.

That's Nurseryworks Family Privileges.

* Products include the Aerial Crib, Loom Crib, Studio Crib, Vetro Crib, Loom Changing Table, Canterbury Changing Table, Two Wide Changing Table and Vetro Changing Table. Discount does not apply to any toddler daybed conversion kits.

** Products include the Duet Bunk Bed and Duet Twin Bed. Nurseryworks reserves the right to change the terms of this offer based on product availability.

WARNING



WARNING! FALL HAZARD

TO PREVENT DEATH OR SERIOUS INJURY, ALWAYS KEEP CHILD WITHIN ARM'S REACH.

READ ALL INSTRUCTIONS BEFORE ASSEMBLING THIS PRODUCT. KEEP THE MANUAL FOR FUTURE USE.



WARNING:

- Read all instructions before use of the changing table.
- Do not use changing table if it is damaged or broken.
- This product is not intended to be used as a changing table without adult supervision. Use of the product without this may result in death or serious injury to your child from falling. Follow all instructions on attaching and using the changing table.
- Changing pad is sold separately. The recommended length and width are 33" L x 17" W x 1" H.
- The maximum weight of the child for which the changing table is intended is 30 lbs.
- Stop using this changing table when the child is able to sit up or roll over.

- As with all infant and baby furniture, it is important to check fasteners, screws, and bolts periodically for tightness. Parents should ensure a safe environment for thier child by checking the furnitniture regularly before placing the child in the product.
- When using this product, always secure the child with the safety strip.

The recommended maximum weight of the occupant is 30 lbs on changing table.



WARNING!
FALL HAZARD

To prevent death or serious injury,
always keep child within arm's reach.

ONE YEAR LIMITED WARRANTY:

We will replace any missing parts at the time of purchase or any defective item within a one year period from the date of original purchase. Please keep your receipt so that we may process your warranty request. This warranty only covers new units with original packaging and ownership, and is not transferable. It does not cover any used, secondhand or demo models.

This warranty does not cover any damaged or defective parts that result from installation and assembly, normal wear and tear, abuse, negligence, improper use or alteration to the finish, design, and hardware of the changing table. The specific legal rights of this warranty may vary from state to state. Some states do not allow any exclusion or limitation of incidental damages. Some states do not allow limitation on how long an implied warranty lasts.

Registering your product is even easier than before. You can register your product on our website at : www.nurseryworks.net

IF YOU WOULD LIKE TO ORDER REPLACEMENT OR MISSING PARTS. PLEASE VISIT US AT:

WWW.NURSERYWORKS.NET

OR YOU CAN CONTACT US BY MAIL:

855 Washington Blvd. Montebello, CA 90640

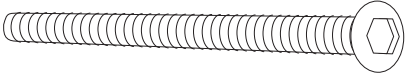
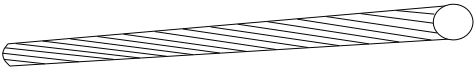
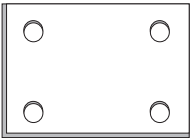
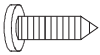
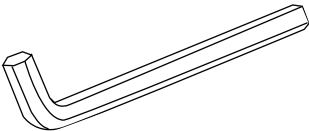
Tel: 323. 728. 8988

Fax: 323. 722. 2805

All of Nurseryworks products are hand-crafted and made of various woods. As wood is a natural substance there can be a natural bend which can cause a variation in the sizes of the drawers when assembled. If this occurs, we recommend that you reinstall the drawers with felt tabs underneath (or rubber tabs) to ensure that the drawers line up properly.

2 WIDE CHANGER

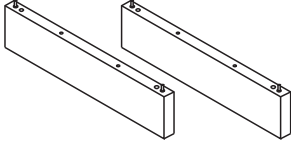
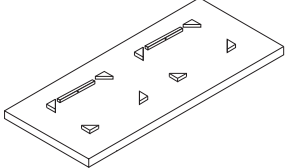
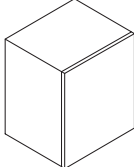
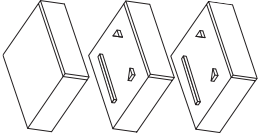
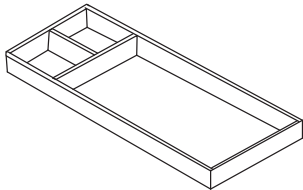
Hardware and Tools List

Hardware & Tools	Ref.No	Description
	Ax8	Screw (50mm/2")
	Bx8	Wood Dowel (60mm/2.4")
	Cx2	Bracket
	Dx8	Screw (12mm/0.5")
	Ex1	Allen Wrench

Please note that screw D requires a Phillips Head Screw driver which is not provided.

2 WIDE CHANGER

Parts List

Parts	Ref.No	Description
	①x2	Leg
	②x1	Platform
	③x1	Cube
 <p style="text-align: center;">Top Middle & Bottom (Interchangeable)</p>	④x3	Drawer Cube
	⑤x1	Top Tray

★ Be sure you follow the instructions in the order that they appear.
 To avoid possible scratching, assemble furniture on a soft surface.
 For instance on a carpet or blanket.

Be aware that you can use both ends of the Allen wrench.
 For instance, use it lengthwise to get into tighter corners.

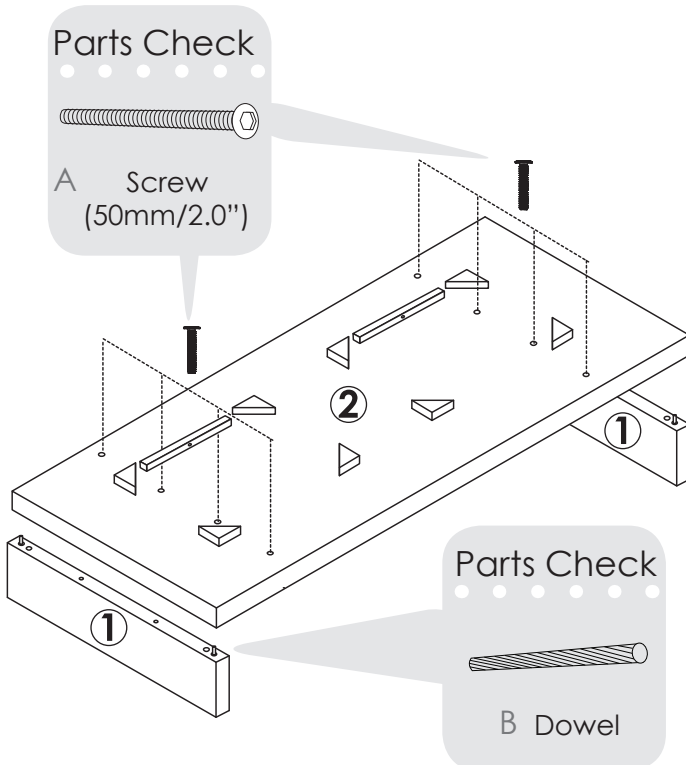
Be careful not to over tighten screws.

2 Wide Changer Assembly Instructions

Step 1



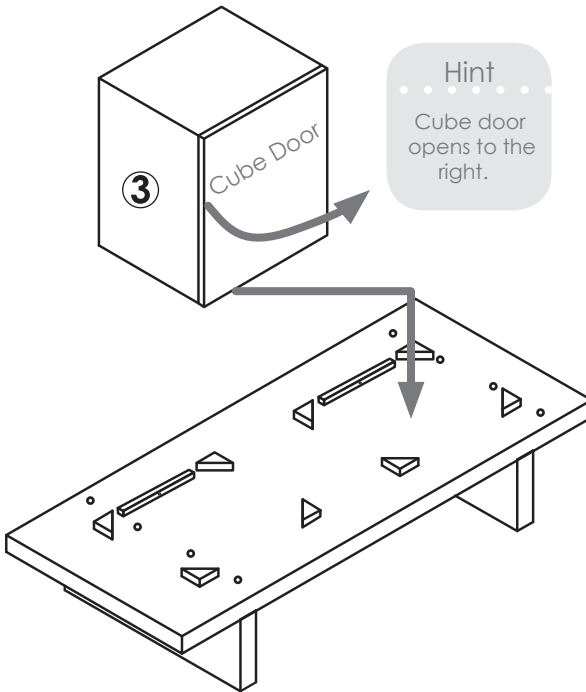
- Affix Leg ① onto Platform by inserting 2 B Dowels into the pre-drilled holes of the Legs and bottom 2 corners of the Platform. Repeat with remaining Leg ① and Dowels.
- 2 Dowels per leg-total of 4 Dowels.
- Insert 4 A Screws into Platform ②, connecting it to the Leg below. Repeat with other Leg.
- 4 Screws per leg-total of 8 Screws
- Tighten all screws with Allen wrench before proceeding to the next step.



Step 2



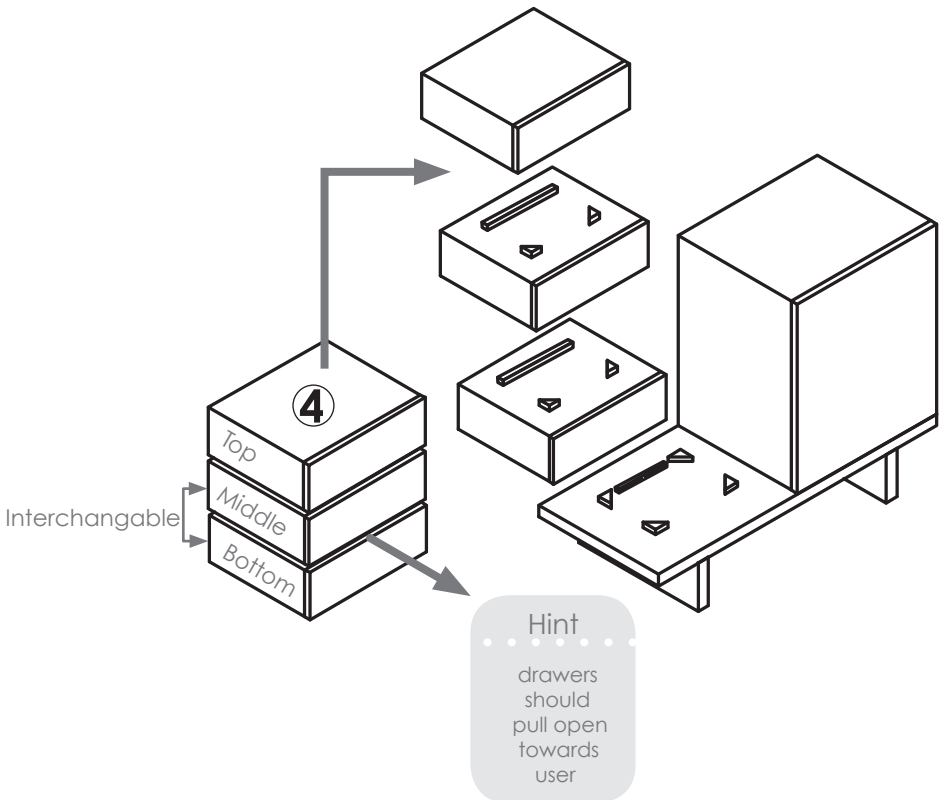
- With Platform oriented as shown, place Cube ③ on the right side of the Platform around the 4 corner locators. Be sure that the Cube fits all the way down onto the top of the Platform all the way around.



Step 3



- Stack Drawer Cubes ④ on top of one another as picture indicates. Make sure that both middle and top drawers are placed around the 4 corner locators located on the drawer beneath it.
- The bottom and middle Drawer Cubes are interchangeable.
- With Platform oriented as shown, place the stacked Drawer Cubes ④ on the left side of the Platform around the 4 corner locators.



Step 4

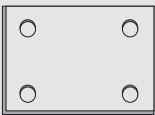


- Connect Drawers together by inserting 4 B Dowels into 2 holes between the drawers, 1 between the Drawer and Platform another between the Cube and the Platform.
- Place Tray **5** on top of the Cube and Drawers as shown. Line up the small screw holes on the back of the tray with the small screw holes on the back of the Cube and Drawers.
- Attach Tray **5** using the 2 C Brackets. Screw them into place with 4 D screws per bracket.
- 8 D Screws total.
- Tighten all screws with Allen wrench.

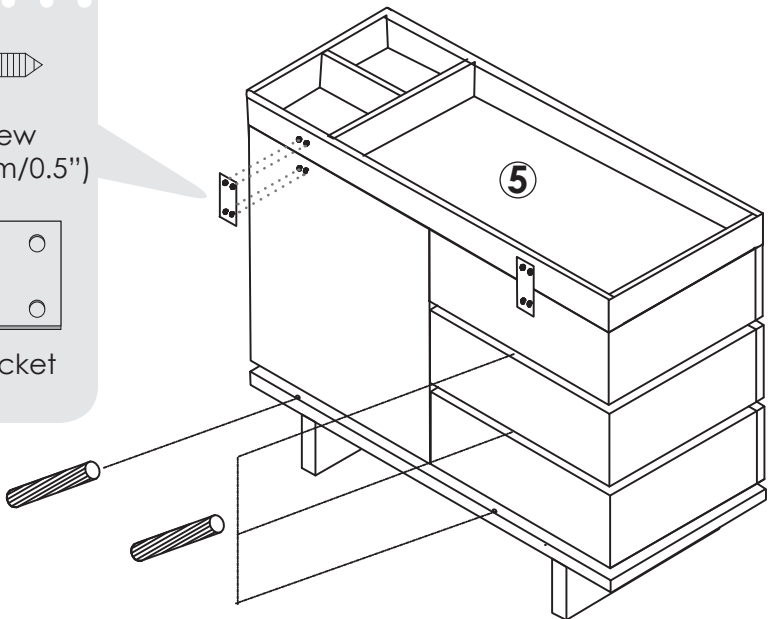
Parts Check



D Screw
(12 mm/0.5")



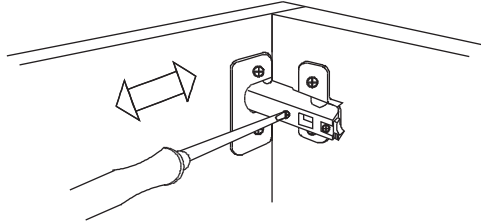
C Bracket



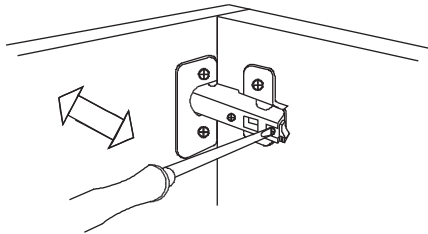
Door Adjustment



If you find that the door is not lining up evenly, below are some suggestions for how to adjust the door accordingly.



Lateral adjustment by adjusting screw



Depth adjustment after loosening the hinge arm mounting screw

PLEASE READ

Nurseryworks furniture is lacquered with paint that meets all ASTM standards for infant furniture. Even though you may experience an odor from the lacquer when the piece is unpacked, this odor is not dangerous and will subside over time. We suggest airing out the drawers and cabinets before use.



www.nurseryworks.net